



Electronic Faucets

Battery Operated - 4" Lavatory - Cast Brass one-piece body with integral waterproof sensor and connector

Model No: 591T1250

COMPLIES WITH:

- For optimum performance of this product, we recommend a system pressure between 20 and 80 PSI static. This product will operate up to a maximum of 125 PSI static per ANSI and CSA requirements. However, we do not recommend pressures above 80 PSI. Thermal expansion or leaking pressure reducing valves may require use of expansion tanks or relief valves to ensure your system never exceeds its maximum intended pressure setting.
- CSA certified.
- Complies to ASME A112.18.1/CSA B125.1
- ADA compliant and meets Handicapped Accessibility Standard ICC/ ANSI A117.1 of less than 5 lbs. handle operating force
- U.S. Patent # 6, 826, 455
- Verified compliant with 0.25% weighted average Pb content regulations
- (Contact Delta Representative for State and/or Local Approvals)



NOTES:

Verified compliant with 0.25% weighted average Pb content regulations

This COMPLETE SERIES is available as Compliant product as of April 15, 2013.

The Product Numbers have NOT changed.

Control Box(0) - Supplied as COMPLETE PRODUCT ONLY

(Dimensional drawing on following page)

SPECIFICATION:

- CAST BRASS one piece body with Integral waterproof sensor and connector
- H²Optics® technology- no external adjustments required
- Serviceable filter upstream of the solenoid valve
- Metal hold-down package
- Adjustable sensing range and timeout
- BATTERY OPERATED (4 'C' cell) infrared electronic handwash
- Audible low battery indicator
- Chrome Finish
- Spout#: 2 - 4" (102mm) Cast Brass Electronic Faucet
- Outlet#: 5 - Vandal Resistant 0.5 USGPM (1.9L/min) Flow Control Non-aerating spray outlet
- Solenoid and Controller in Plastic Surface Mount Housing-NO MIXING VALVE SUPPLIED
- Forged brass solenoid valve

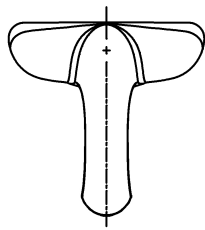
OPERATION:

- Hands free (touchless) operation
- Water flows when sensor is activated
- Water flow stops upon deactivation of sensor
- Auto shut-off feature that is selectable between 15 to 75 seconds- factory set to 45 seconds- will reset once obstruction is removed
- Adjustable sensing distance from 76 to 381 mm (3" to 15")- factory set to 229 mm (9" plus or minus 1")
- Low battery audible beep- will activate after faucet shuts off when approximately 1500 cycles remain.

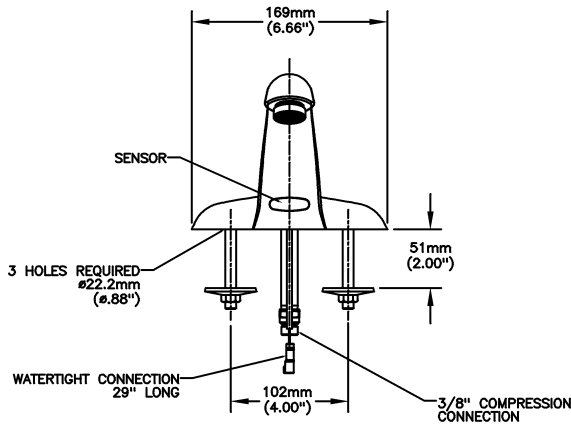
Delta reserves the right (1) to make changes to specifications and materials, and (2) to change or discontinue models, both without notice or obligation. Dimensions are for reference. Measurement may vary plus or minus 6mm(0.25"). Mounting locations are suggested only. Check with local codes for requirements in your area. This spec was produced January 28, 2014.

Delta Faucet Company - 55 East 111th St. - Indianapolis, Indiana, USA 46280 - (317) 848-1812
Delta Faucet Canada - 395 Matheson Blvd E - Mississauga, Ontario, Canada L4Z 2H2 - (905) 712-3030

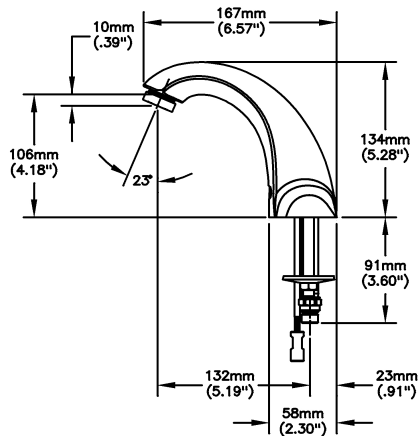
Model No: 591T1250



TOP VIEW

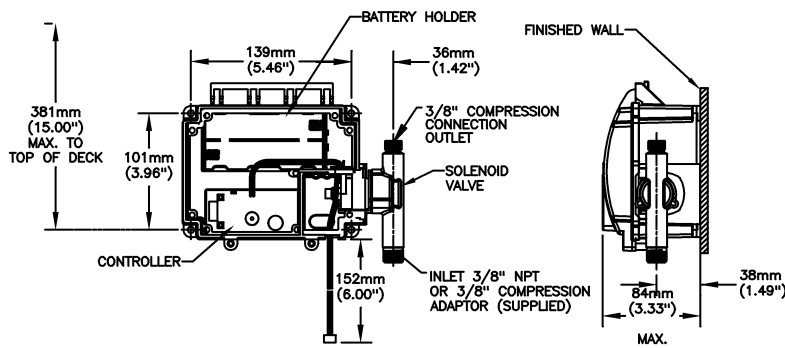


FRONT VIEW



SIDE VIEW

NOTE:
1. ALL DIMENSIONS ARE IN MM
2. DIMENSION INSIDE () ARE IN INCHES.



WATER CONNECTION TO SPOUT
IS BY FACTORY SUPPLIED
508 MM (20") LONG
STAINLESS STEEL HOSE

Delta reserves the right (1) to make changes to specifications and materials, and (2) to change or discontinue models, both without notice or obligation. Dimensions are for reference. Measurement may vary plus or minus 6mm(0.25"). Mounting locations are suggested only. Check with local codes for requirements in your area. This spec was produced January 28, 2014.

Delta Faucet Company - 55 East 111th St. - Indianapolis, Indiana, USA 46280 - (317) 848-1812
Delta Faucet Canada - 395 Matheson Blvd E - Mississauga, Ontario, Canada L4Z 2H2 - (905) 712-3030